

# AR 75<sup>e</sup>

**Operation weight:**  
5,760 kg

**Power:**  
54 kW (73 HP)

**Shovel capacity:**  
1.0 - 1.25 m<sup>3</sup>



 **Weycor**  
BY ATLAS WEYHAUSEN

# AR 75<sup>e</sup>

## SMALL e. BIG EFFECT.

weycor wheel loaders are more than the sum of their parts. They reflect true passion, a fascination with technology and 'Made in Germany' quality.

It's thanks to the innovative spirit of our people, their dedication to detail and their passion for powerful engine technology that this new **e-generation of wheel loaders** has been developed.

The small '**e**' stands for

- emission reduction: Keeps the required NOx and PM limits in accordance with the most stringent emission regulations
- efficient: Higher power, lower consumption
- evolutionary: Advanced designs that are optimised down to the smallest detail



# WEYCOR: POWERFUL, PRECISE, RELIABLE.



## LATEST KINEMATICS TECHNOLOGY

The proven and tested weycor kinematics with its exceptional tear-out force and excellent lifting heights. The tapered loading rocker makes sure you can always keep an eye on the attachment.



## EASY MAINTENANCE

Low-maintenance and quick, easy servicing is achieved by central, consolidated, easy-to-reach service points.



## HYDRAULIC QUICK-CHANGE ATTACHMENT

By allowing you to change the wheel loader's attachments in a few seconds, it turns the vehicle into an all-rounder.



## ARTICULATED PENDULUM JOINT

Provides for excellent maneuverability and cross-country mobility. Even on challenging terrain, the low center of gravity ensures exceptional stability.



## SEPARATE INCHING PEDAL

Less wear & tear and fuel consumption: In contrast to the conventional combined brake/inching pedal, with the separate inching pedal, the risk of inadvertently activating the main brake while you drive is eliminated.



## NEGATIVE BRAKE

Serves to maintain a stable position while the wheel loader is driven on slopes with the brake or inching function activated. All four wheels are automatically blocked as soon as the engine is stopped.

## COMFORTABLE CABIN

In addition to the excellent circumferential visibility in the wheel loader, its clearly arranged controls and its ergonomic design.

## POWERFUL DRIVE UNIT

weycor wheel loaders are equipped with state-of-the-art engines which combine high power reserves for challenging operations with up-to-date low emission values.



## DEUTZ ENGINE TECHNOLOGY

### TD 2.9 L4 (DOC / DPF optional)

Newly-designed, water cooled 4-cylinder inline engine with cooled, external exhaust gas recirculation with and without turbocharging and optionally with and without charge air cooling. Use of DVERT® oxidation catalyst (DOC) enables maintenance-free operation under all application and ambient conditions. The powerful Common Rail injection system and highly-efficient combustion process with cooled external exhaust gas recirculation ensure optimum engine performance at low fuel consumption and exhaust emissions. Best cold starting performance even under extreme conditions. The engines meet the requirements of the EPA TIER 4 with DVERT® oxidation catalyst.

# AR 75<sup>e</sup>

## TECHNICAL DATA ENGINE (WITH DOC OR DPF)

<b>Make</b> .....	TD 2.9 L4 (DOC / DPF optional)
<b>Type</b> .....	water-/intercooled
<b>Power***</b> .....	set to 54 kW (73 HP) at 2,200 min <sup>-1</sup>
<b>Max. torque</b> .....	260 Nm at 1,800 min <sup>-1</sup>
<b>Stroke</b> .....	2,920 cm <sup>3</sup>
<b>Cylinders</b> .....	4 in line

Common Rail injection system with cooled external exhaust gas recirculation and oxidation catalyst. No regeneration necessary.

Differing data with particle filter (DPF):

<b>Max. torque</b> .....	300 Nm at 1,800 min <sup>-1</sup>
<b>Stroke</b> .....	2,920 cm <sup>3</sup> (Common-Rail)

## ELECTRICAL SYSTEM

<b>Operating voltage</b> .....	12 V
<b>Battery</b> .....	12 V / 100 Ah
<b>Alternator</b> .....	14 V / 95 A
<b>Starter</b> .....	12 V / 2.6 kW

## DRIVE

- Output-regulated hydrostatic drive with pressure cut off and closed circuit acting on all 4 wheels
- Speed with standard tires: Operating speed range 0-6.5 km/h Road speed range 0-20 km/h Optional high speed 40 km/h (upon request)
- 1st and 2nd hydraulic gear can be engaged under load, forward/backward travel also
- Forward/backward travel, speed ranges and off-position operational via weycor joystick
- Drive operated by accelerator and separate inching pedal for best distribution of the hydraulic power for thrust and lifting forces

## BRAKES

**Standard brake:** Multi-disc brake in oil bath acting on all 4 wheels. Supplementary brake functions via inching pedal and hydrostatic drive acting on all 4 wheels.

**Parking brake:** Parking brake as spring-loaded brake acting on all 4 wheels. In case of standstill of engine the spring-loaded brake is automatically reactivated.

## AXLES

Rigid axles with planetary reduction gears in wheel hubs, connecting electrically 100%-differential lock in front and rear axle.

## STEERING

- Fully hydraulic center pivot steering
- Front and rear wheels follow the same track
- Steering angle of 40° to each side, ±12° angular movement at rear of vehicle
- Operating pressure of steering hydraulics 175 bar
- Emergency steering function

## TIRES

**Standard:** 405/70 R20 EM – Construction machine tires for clay, sand, gravel, asphalt, roads, gardening and landscaping  
**Special tires:** 400/70 R20 XMCL – Construction machine tires for clay, sand, gravel, fields and greenland, fortified roads

Special tires upon request

## HYDRAULIC SYSTEM

- Gear pump for loading and steering hydraulics
- Priority valve favoring steering hydraulics
- Lowering brake independent of load
- 3rd hydraulic section serial
- Loading hydraulic hydraulically pre-activated by weycor joystick, including float position
- Operating pressure 265 bar, Delivery of pump 62 l/min
- Option: Loading hydraulics electrically pre-activated

## LOADING EQUIPMENT

- Powerful and solid Z-kinematics with high tear out force
- Hydraulic quick change device
- Activation of all functions by weycor joystick
- Parallel movement while using pallet forks
- Automatic shovel return to excavation position
- Locking device acc. to German StVZO for road travel

**Lifting 6.0 s**  
**Lowering 3.8 s**  
**Tipping 1.2 s**

## FUEL/OIL CAPACITIES

Diesel	100 Liter
Hydraulic oil	83 Liter
Engine oil	11 Liter
Front axle	4.5 Liter
Rear axle	4.2 Liter
Gear oil	2.5 Liter
Cooling liquid	15 Liter

## STANDARD EQUIPMENT INCLUSIVE

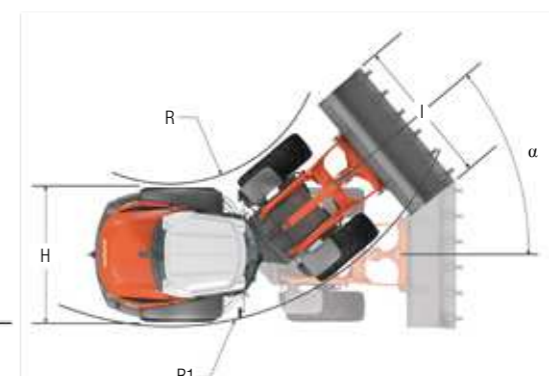
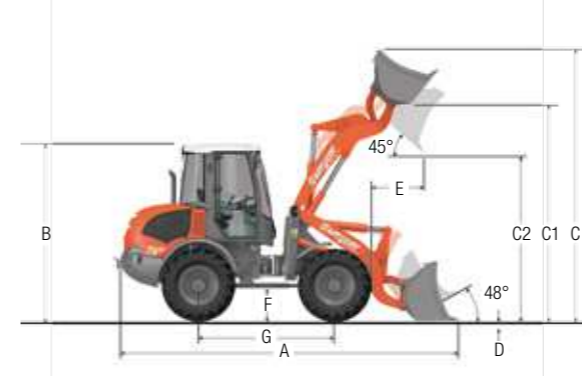
- Rear driving mirrors, foldable
- Heatable rear screen
- Comfortable access to cab from both sides
- Activation of all functions by weycor joystick
- Control lights for speed range, forward/backward travel
- Lights acc. to German StVZO for road travel
- Individually adjustable driver's seat with adjustable right arm rest
- Engine heating with heat exchange and 4-stage fan
- Front windscreen ventilation, variable output
- Sound absorbing ROPS cab
- Windscreen wipe and wash unit in front and rear
- Sun visor, coat hook, ceiling lamp, stow facility
- Adjustable steering column
- Heat protection glazing with largetinted screens
- Control lights for engine oil pressure, overheating, hydraulic oil temperature, battery power, parking brake and air filter
- Central dashboard with indicators for preheating, engine temperature, fuel, working hour meter

## OPTIONS TECHNICAL OPTIONS

- 4th hydraulic section front or rear
- Stability damping system
- Slow drive inching pedal
- High speed version 40 km/h
- Extended lifting frame
- Load check valve for lifting and working cylinders
- Trailer coupling
- Main battery switch
- Corrosion prevention against salt
- Special paintings and oils
- Joystick with integrated proportional steering for 3rd section (only with ADS)
- weycor diagnostic system (ADS) for monitoring engine parameters with integrated electronic anti-theft device
- Engine oil preheating 220 V
- Warning beacon
- Anti-theft-device with code stick
- Heatable and air cushioned seats
- Air conditioning, auxiliary heating
- Radio
- Doors with sliding windows, left and right side
- Hydraulic start-stop system
- Diesel particulate filter

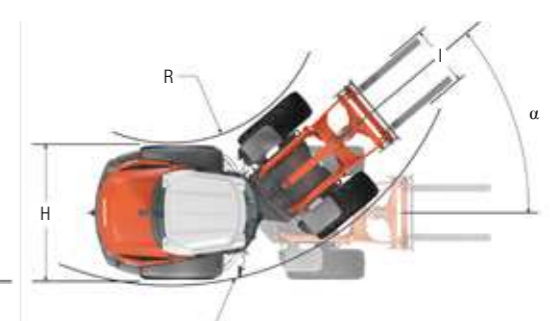
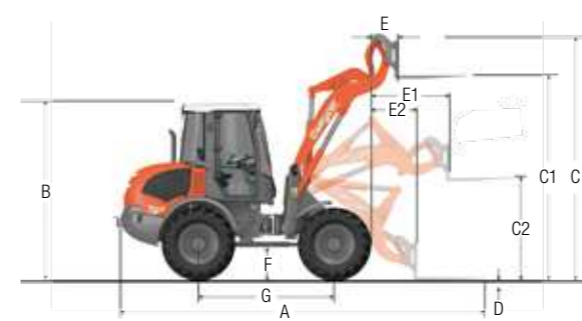
More options upon request

## TECHNICAL DATA AR 75e WITH STANDARD SHOVEL



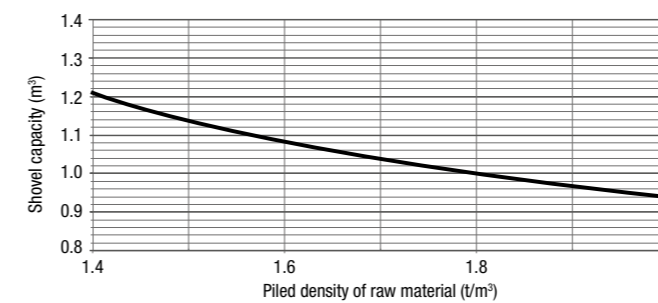
A	5,580 mm
B	2,730 mm
C	4,220 mm
C1	3,380 mm
C2	2,605 mm
D	65 mm
E	740 mm
F	470 mm
G	2,200 mm
H	2,050 mm
I	2,150 mm
R	1,898 mm
R1	4,046 mm
α	40°

## TECHNICAL DATA AR 75e WITH PALLET FORKS



A	5,930 mm
B	2,730 mm
C	3,710 mm
C1	3,190 mm
C2	1,440 mm
D	65 mm
E	515 mm
E1	1,310 mm
E2	800 mm
F	470 mm
G	2,200 mm
H	2,050 mm
I	1,030 mm
R	1,898 mm
R1	4,046 mm
α	40°

## DIAGRAM FOR SHOVEL SELECTION



## SPECIFIC GRAVITY FOR MATERIAL HANDLING WEIGHT (t/m³)

Construction	Industry	
concrete	ember	phosphate fertiliser
soil (dry)	brown coal briquette	turf (watery)
soil (watery)	ferrous product	turf (dry)
rock (fill)	iron ore	mineral fertiliser
granite	cullet	
limestone	gas coke	
gravel (dry)	timber	
gravel (watery)	mineral coal	
loam	paper	
plaster	slag	
sand (dry)	slag concrete	
sand (watery)		
sandstone		
shale		
sediment		
crushed stone		
de-icing salt		
clay		
cement		
clinker (stacked)		
	agricultural crop	
	grain	
	hay	
	potash	
	compost	
	flour	
	clay (watery)	

## OPERATING DATA

Shovel capacity acc. to SAE	1.0 m <sup>3</sup>
Track width	1,640 mm
Turning radius (outer shovel edge)	4,478 mm
Tear out force	6,210 daN
Torque	5,250 daN
Tipping load, straight	4,565 kg
Tipping load, articulated	4,033 kg
Lifting capacity at ground level	5,510 daN
Service weight	5,760 kg

Differing data for use of pallet forks (500 mm distance to center of gravity)\*

Static tipping load, straight and articulated	3,146 kg
Lifting capacity	4,392 daN
Payload 80% even surface**	2,517 kg
Payload 60% uneven surface***	1,888 kg

## Sound level

Average acoustic power-level L<sub>WA</sub><sup>(1)</sup> 99.9 dB(A) DOC  
 100.0 dB(A) DPF

Guaranteed acoustic power-level L<sub>WA</sub><sup>(2)</sup> 101.0 dB(A)  
 Sound pressure level L<sub>pA</sub><sup>(3)</sup> 78.0 dB(A)

Specific vibration-data Hand- / arm- / bodyvibration<sup>(4)</sup> < 2.5/0.5 m/s<sup>2</sup>

\* Travel with load only permitted close to the ground.  
 \*\* According to ISO 8313 and EN 474-3. \*\*\* According to ISO 14396, EU RL97/68/EC. (1) According to 2000/14/EG & appendixes.  
 (2) According to 2000/14/EG & appendixes. (3) According to ISO 6396.  
 (4) According to ISO 8041.

# PRODUCT RANGE

## S

AR 30	
Operation weight	2,150 kg
Power	24.6 kW (33.5 HP)
Shovel capacity	0.32 - 0.45 m <sup>3</sup>

AR 35	
Operation weight	2,500 kg
Power	24.6 kW (33.5 HP)
Shovel capacity	0.34 - 0.45 m <sup>3</sup>

AR 35 Super	
Operation weight	2,875 kg
Power	29.4 kW (40.0 HP)
Shovel capacity	0.34 - 0.50 m <sup>3</sup>

AR 40	
Operation weight	3,500 kg
Power	29.4 kW (40.0 HP)
Shovel capacity	0.50 - 0.60 m <sup>3</sup>

Operation weight	
Power	
Shovel capacity	

## Model range L



AR 60	
Operation weight	4,300 kg / 4,650 kg
Power	36.5 kW (50.0 HP)
Shovel capacity	0.65 - 1.00 m <sup>3</sup>



AR 65 <sup>e</sup>	
Operation weight	5,150 kg
Power	54.0 kW (73.0 HP)
Shovel capacity	0.80 - 1.05 m <sup>3</sup>



AR 75 <sup>e</sup>	
Operation weight	5,760 kg
Power	54.0 kW (73.0 HP)
Shovel capacity	1.00 - 1.25 m <sup>3</sup>



AR 75 <sup>e</sup> S	
Operation weight	6,280 kg
Power	54.0 kW (73.0 HP)
Shovel capacity	0.80 m <sup>3</sup>



AR 75 <sup>e</sup> T	
Operation weight	6,000 kg
Power	54.0 kW (73.0 HP)
Shovel capacity	1.00 m <sup>3</sup>

## XL

AR 80 <sup>e</sup>	
Operation weight	6,220 kg
Power	70.0 kW (95.0 HP)
Shovel capacity	1.10 - 1.30 m <sup>3</sup>

AR 85 <sup>e</sup>	
Operation weight	7,000 kg
Power	80.0 kW (109.0 HP)
Shovel capacity	1.30 - 1.50 m <sup>3</sup>

AR 95 <sup>e</sup>	
Operation weight	7,900 kg
Power	85.0 kW (115.5 HP)
Shovel capacity	1.40 - 2.00 m <sup>3</sup>

AR 95 <sup>e</sup> Super	
Operation weight	8,200 kg
Power	95.0 kW (129.0 HP)
Shovel capacity	1.40 - 2.00 m <sup>3</sup>

## XXL

AR 105 <sup>e</sup>	
Operation weight	9,450 kg
Power	105.0 kW (143.0 HP)
Shovel capacity	1.60 - 2.00 m <sup>3</sup>

AR 200 <sup>B</sup>	
Operation weight	12,400 kg
Power	115.0 kW (156.0 HP)
Shovel capacity	2.10 - 2.50 m <sup>3</sup>

AR 250 <sup>B</sup>	
Operation weight	13,800 kg
Power	160.0 kW (218.0 HP)
Shovel capacity	2.40 - 3.00 m <sup>3</sup>

Compliance with the new statutory limits for exhaust emissions is one thing. Deriving tangible benefits for our customers is another. We are proud to have incorporated both in the development of the new generation of wheel loaders. **Higher power - lower consumption** plus a series of other innovative features that make a genuinely positive difference in a construction site environment. All the features inside are now represented on the outside by a small 'e' and the new product name 'weycor'.

**weycor is an ATLAS WEYHAUSEN GMBH brand.**